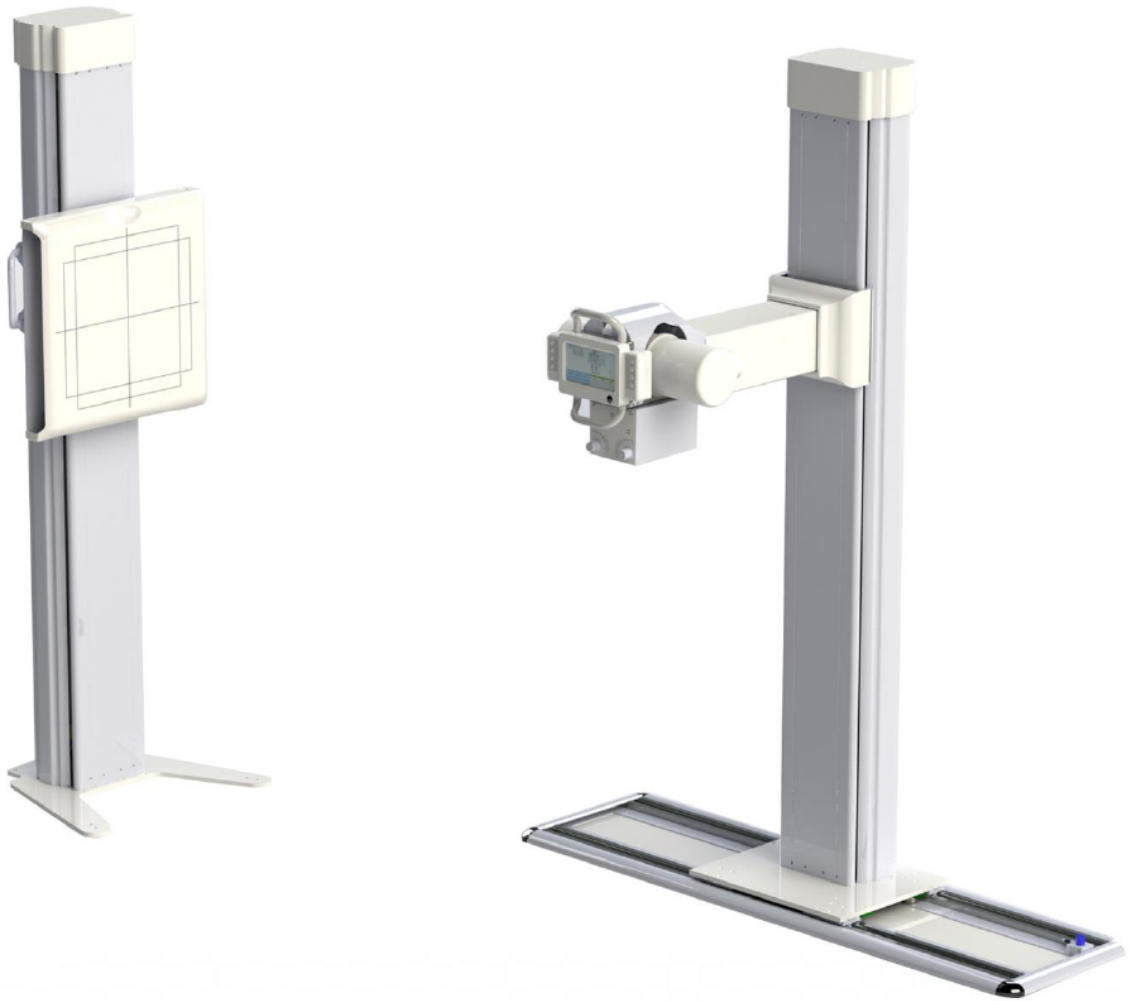


MasteRad[®]

MX30 Chiro



SYSTEM SPECIFICATIONS

www.medicattechusa.com

GENERAL SPECS

● Floor Mount Length and Options

Standard floor mount rails are 8 feet	Longitudinal Travel of focal spot is 76 inches
Optional upgrade to 10 feet floor mount rails	Longitudinal Travel of focal spot is 100 inches
The control of the longitudinal travel	Electromagnetic brakes – 24 VDC, 2 Amp
Distance From Wall to Center of Floor Mount	8 Inches

● Tube Stand

Over all height of the tube stand	Total Vertical Height is 83 inches
Vertical travel of focal spot	Max = 73 inches - Min = 12inches
Distance from the center of the floor mount to tube center (focal spot) – Rotating arm (Chiro)	18.107 inches
The control of vertical travel	Power of breaks – 24 VDC, 2 Amp
Tube rotation	+/- 180 Degrees
Control screen for tube rotation angle SID	7 inch LCD touch screen

● Chest Stand

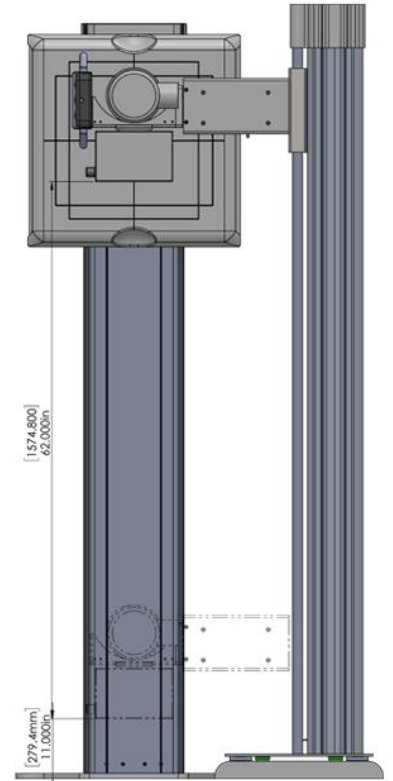
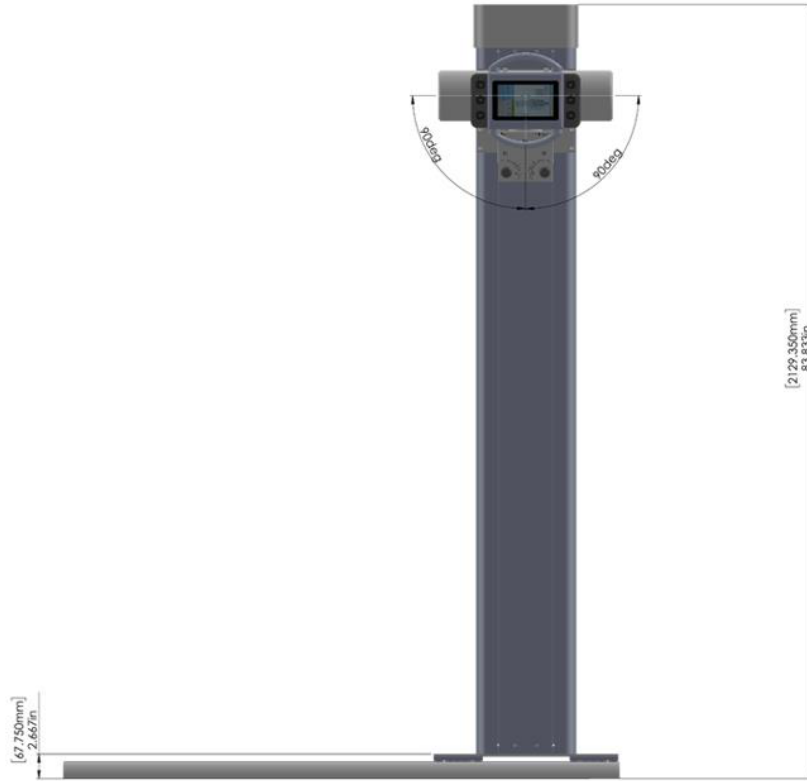
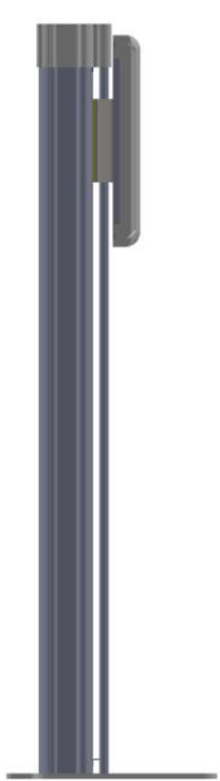
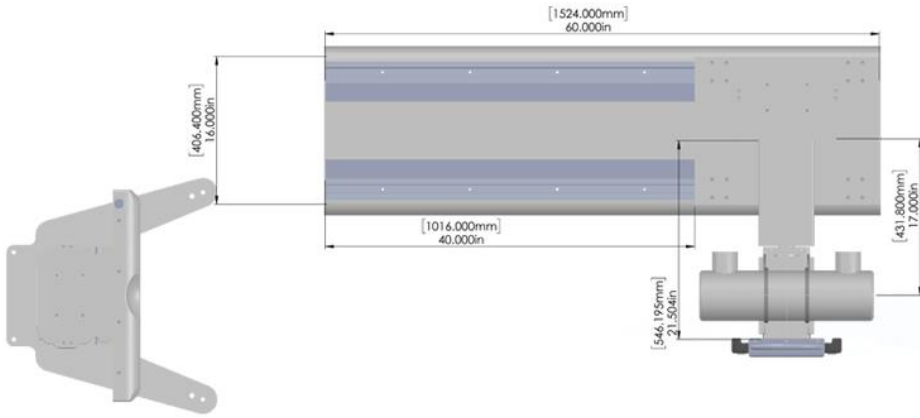
Overall height of the tube stand	Total Vertical Height is 82 inches
Vertical travel of focal spot	Max = 70.25 inches - Min = 12inches
Detector Cabinet	For 17"x 17" / 14"x 17"
The control of vertical travel	Power of brakes – 24 VDC, 2 Amp

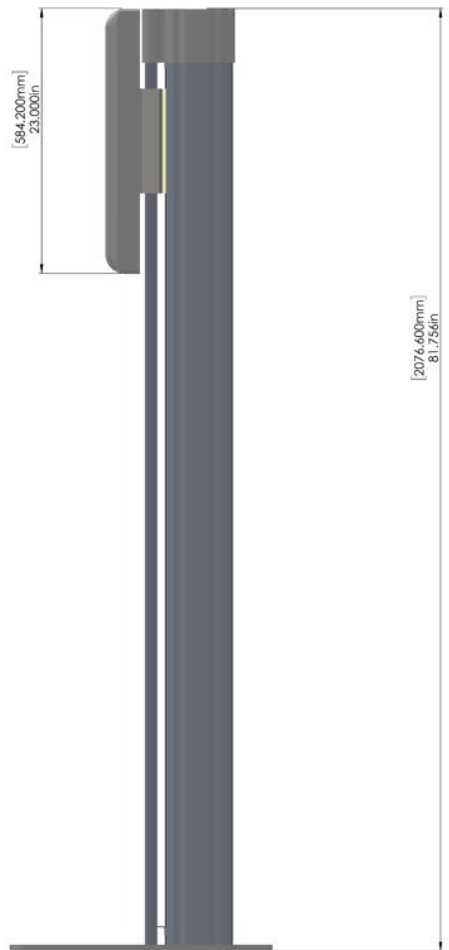
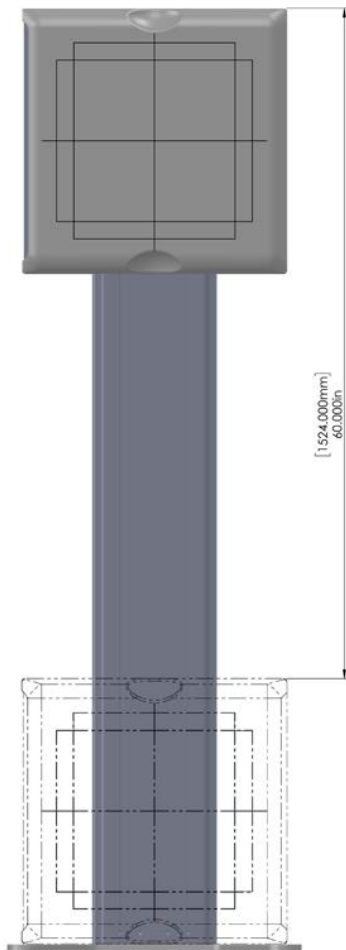
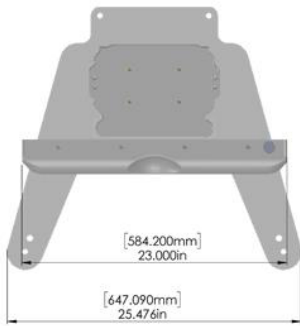
● Electrical Requirements

110/220 VAC 50/60 HZ
12 foot line cord with 220 VAC plug is provided

● Minimum Room Size Requirements

13' wide x 6' depth x 7.5" ceiling height







50 MAXWELL IRVINE, CA 92618 USA



800.817.5030



WWW.MEDICATECHUSA.COM