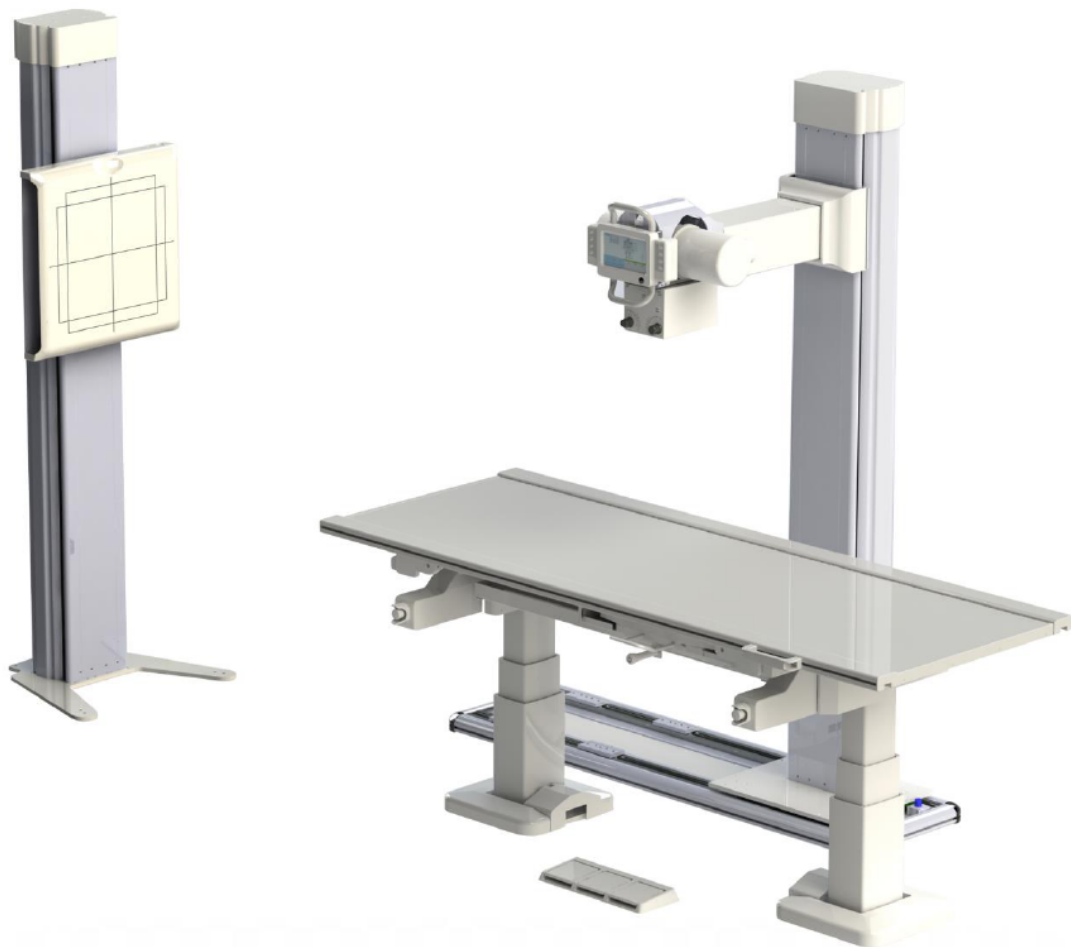


MasteRad[®]

MX30 Medical



Full System Specifications

www.medicattechusa.com

GENERAL SPECS

● Floor Mount Length and Options

Standard floor mount rails are 8 feet	Longitudinal Travel of focal spot is 76 inches
Optional upgrade is available for 10 feet floor mount rails	Longitudinal Travel of focal spot is 100 inches
The control of the longitudinal travel	Electromagnetic brakes – 24 VDC, 2 Amp

● Tube Stand

Over all height of the tube stand	Total Vertical Height is 83 inches
Vertical travel of focal spot	Max = 73 inches - Min = 12inches
Distance from the center of the floor mount to tube center (focal spot) – Rotating arm (Chiro)	For Tube arm 21.25 inches is 18.107 inches
Distance from the center of the floor mount to tube center (focal spot) – Rotating arm	For Tube arm 28.25 inches is 25.107 inches
vertical travel control	Power of breaks – 24 VDC, 2 Amp
Tube rotation	Rotating angle from +- 180 degrees
Control screen for tube rotation angle SID	7 inch LCD touch screen

● Chest Stand

Overall height of the tube stand	Total Vertical Height is 82 inches
Vertical travel of focal spot	Max = 70.25 inches - Min = 12inches
Bucky Encasement	For 17"x 17" / 14"x 17"
The control of vertical travel	Power of brakes – 24 VDC, 2 Amp

Radiographic system

NON-ELEVATING TABLE

The table comes with electromagnetic brakes and flat fiber resin; 4-way floating table top. The table top is 84 x 31 inches in size (table top can be customized upon request and will alter the travel distance). The table comes with movable bucky that can fit 14 x17" or 17 x 17" panel.

The bucky has a manual electromagnetic locking system. The table comes with 2 emergency stop buttons mounted on the table. The table requires 110VAC input power and contains an integrated power supply for the brakes for 24 VDC. The table base is open for easy access and cleaning.

- Specifications**

Table top travel	Transverse: ±5 inches from the center Longitudinal: ± 16 inches from the center
Table top height	35 inches
Patient load Rating	400 pounds
Table Bucky travel	Longitudinal: ± 10 inches from the center

- Electrical Requirements**

110/220 VAC 50/60 HZ
12 foot line cord with 220 VAC plug is provided

- Mounting Requirements**

The table bolts to the floor at eight places through 8 3/8-16 cement anchors. Anchors are provided with the table
--

- Minimum Room Size Requirements**

13' wide x 6' depth x 7.5" ceiling height

Radiographic system

ELEVATING TABLE

The table comes with electromagnetic brakes and a flat fiber resin; 4-way floating table top. The table top is 84 x 31 inches in size (table top can be customized upon request and will alter the travel distance). The table comes with movable bucky that can fit a 14 x 17" or 17 x 17" panel.

The bucky has a manual electromagnetic locking system. The table comes with 2 emergency stop buttons mounted on the table. The table requires 110VAC input power and contains an integrated power supply for the brakes for 24 VDC. The table base is open for easy access and cleaning.

- Specifications**

Table top travel	Transverse: ±5 inches from the center Longitudinal: ± 16 inches from the center
Table top height	35 inches
Patient load Rating	400 pounds
Table Bucky Travel	Longitudinal: ± 10 inches from the center
Elevating Travel	19 to 35inches

- Electrical Requirements**

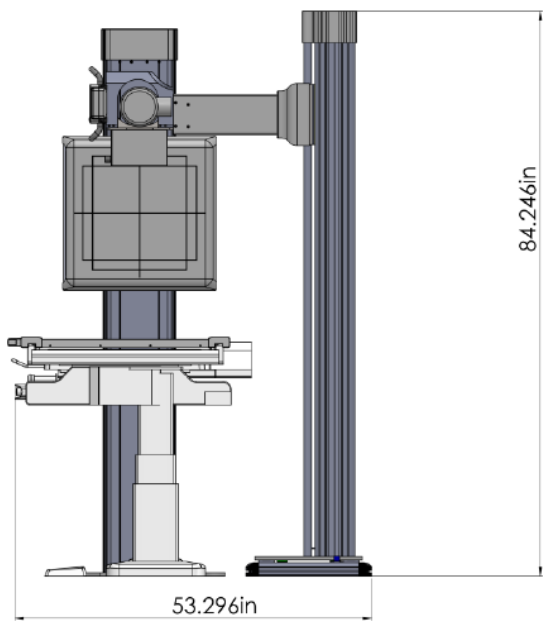
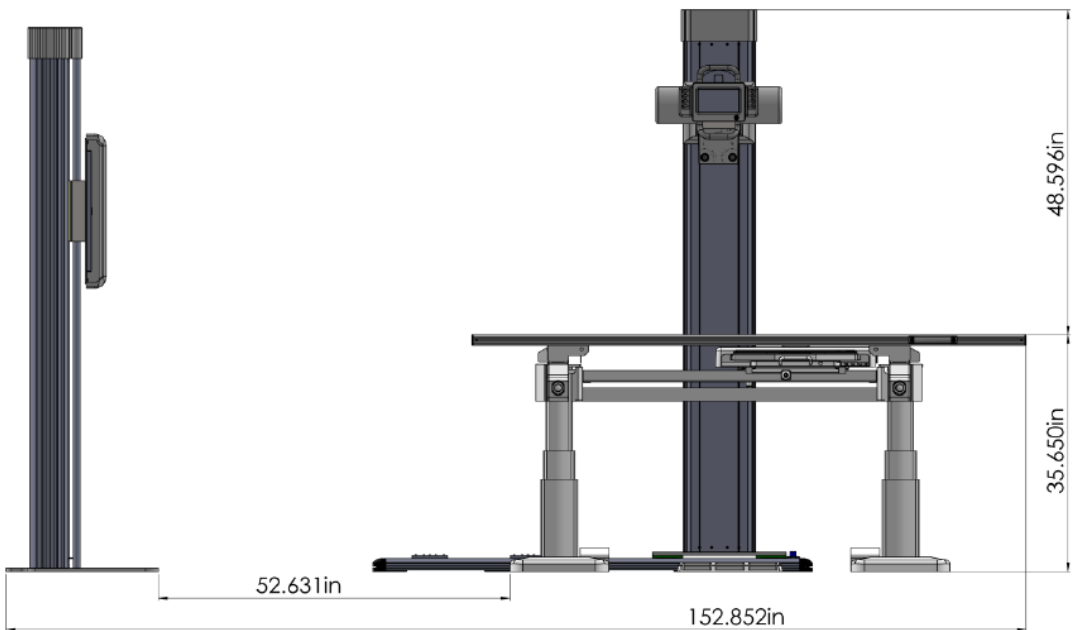
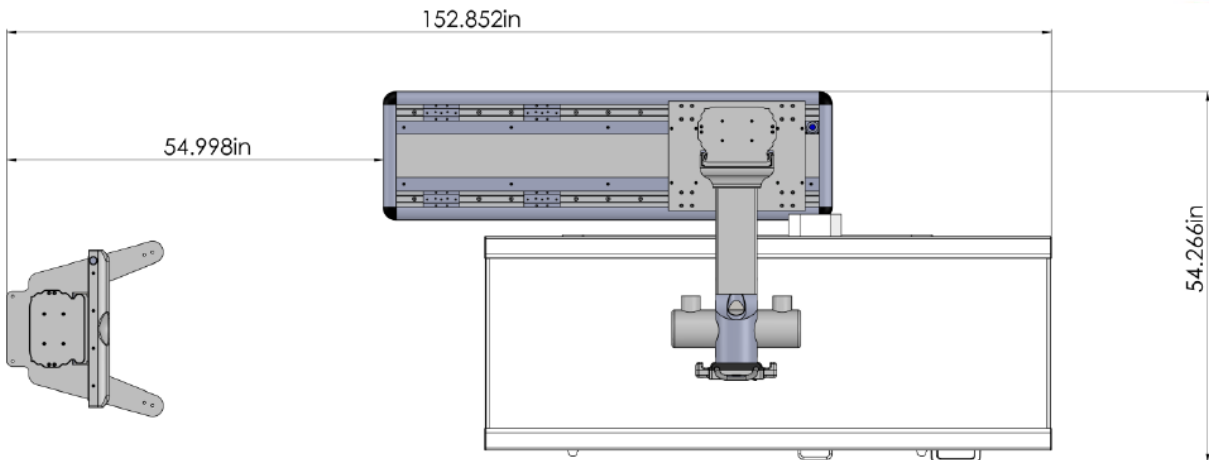
110/220 VAC 50/60 HZ
12 foot line cord with 220 VAC plug is provided

- Mounting Requirements**

The table bolts to the floor at eight places through 8 3/8-16 cement anchors. Anchors are provided with the table
--

- Minimum Room Size Requirements**

13' wide x 6' depth x 7.5" ceiling height





50 MAXWELL IRVINE, CA 92618 USA



800.817.5030



WWW.MEDICATECHUSA.COM